

SWITCH FUNCTION		
POS. 1	POS. 2	POS. 3
ON	OFF	(ON)
2-3	OPEN	2-1

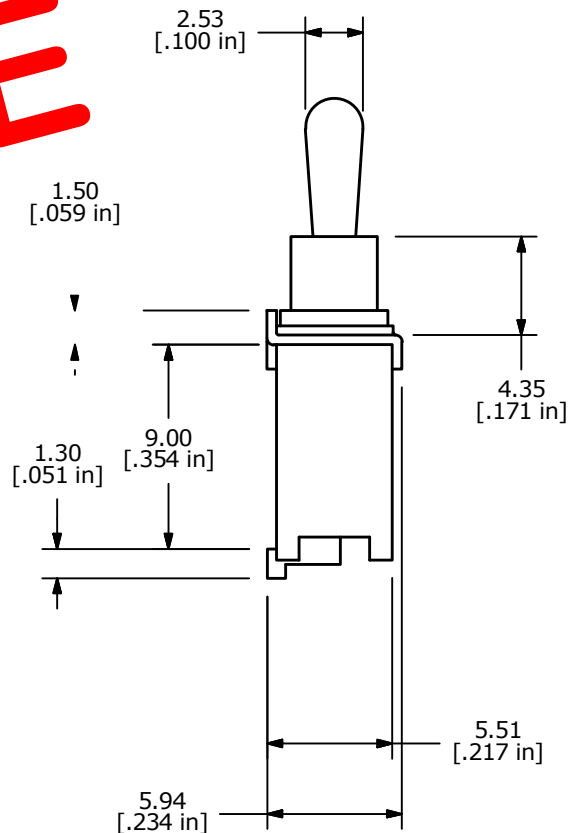
(ON)=MOMENTARY

- NOTES:
1. ALL DIMENSIONS IN MM [INCH]
 2. TERMINAL NUMBERS FOR REF. ONLY
 3. GENERAL TOLERANCE: X.X=± 0.4
X.XX=± 0.25
 - ▲ 4. PLATING MATERIAL: GOLD
 5. RATING: 0.4VA MAX. @ 20VAC OR DC
 6. MECHANICAL LIFE: 50,000 MAKE AND BREAK CYCLES AT FULL LOAD
 7. INSULATION RESISTANCE: 1,000 MEGA-OHM MIN.
 8. DIELECTRIC STRENGTH: 1,000 V RMS@SEA LEVEL
 9. OPERATING TEMPERATURE: -30°C TO 85°C
 10. ▲ DENOTES CRITICAL PARAMETER
 11. 2011/65/EU (ROHS) COMPLIANT.

OBSOLETE


APRIL 2019

PCR 23859



B	22358	UPDATED PAD LOCATIONS	6/17/16	MJR
A	18540	NEW RELEASE	5/26/09	rc
REV	PCR NO	DESCRIPTION	DATE	BY

THE INFORMATION CONTAINED IN THIS DOCUMENT IS PROPRIETARY TO E-SWITCH AND IS NOT TO BE COPIED OR TRANSFERRED


E-SWITCH®

TITLE 200BWMSP5TBA1SM8RE				
SCALE 3:1	DATE 5/7/2009	DR RC	DWG T833047	REV B